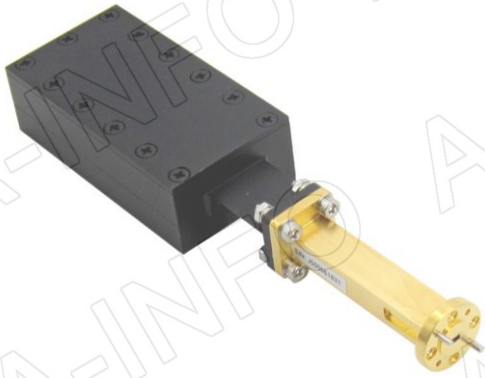
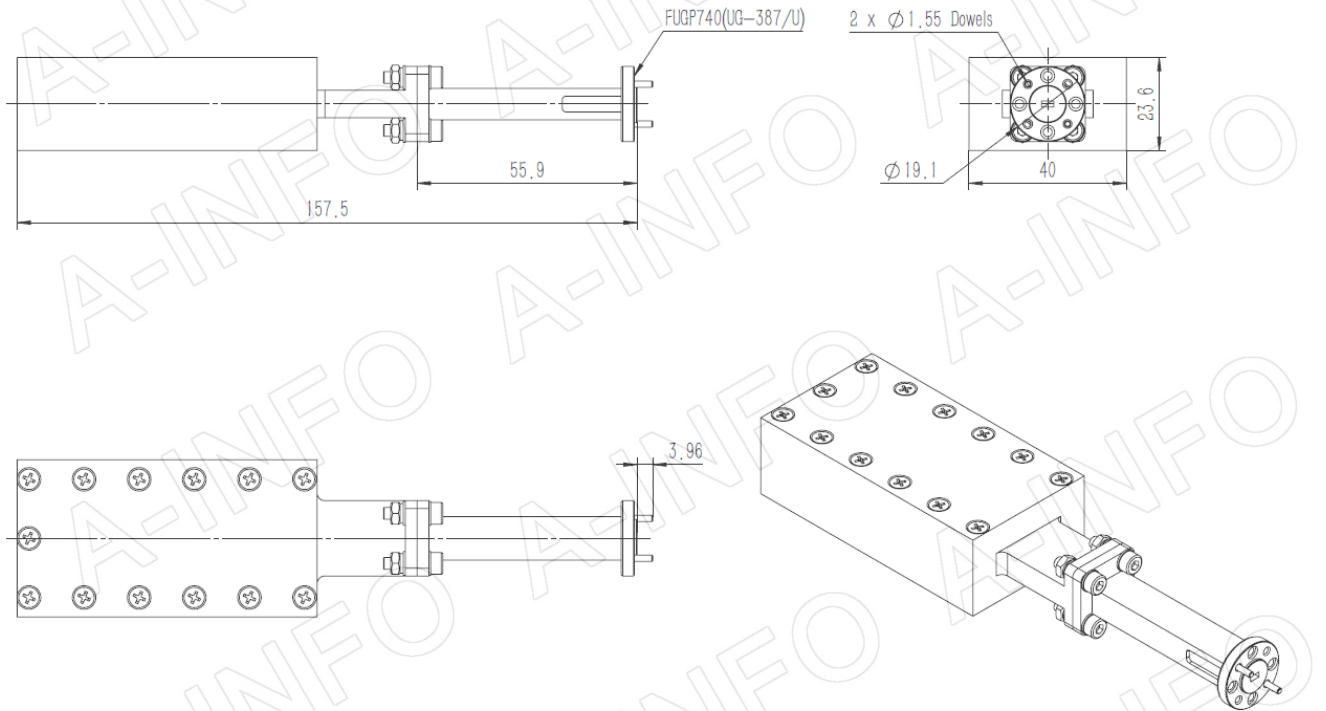


## Technical Specification

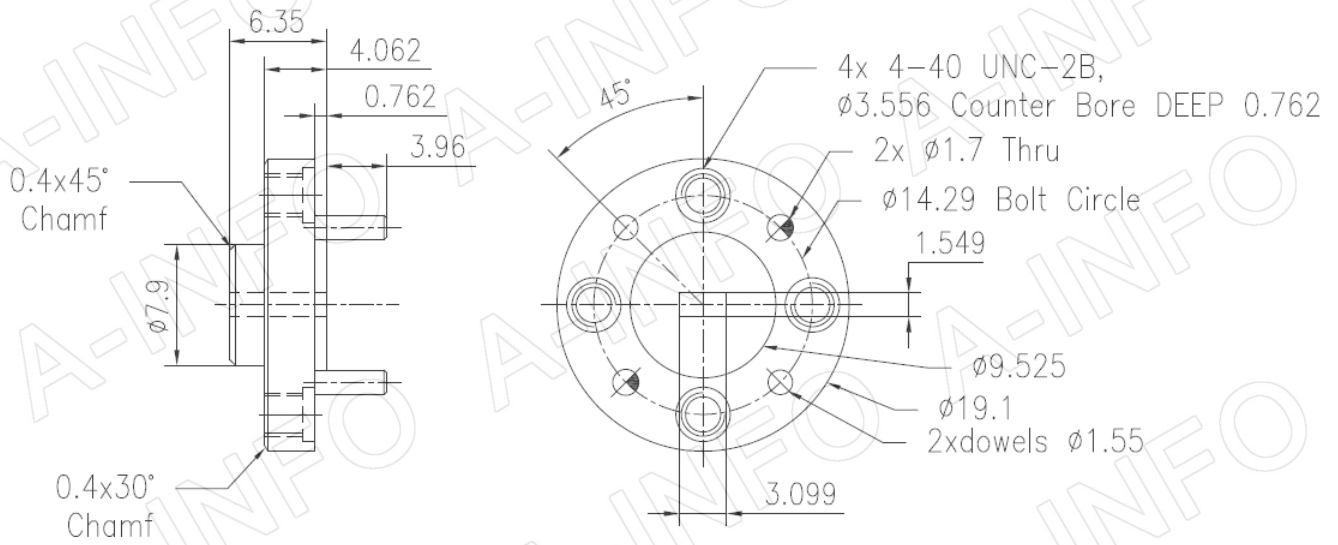


EIA WR	WR12
Frequency Range(GHz)	60.0-90.0
VSWR	1.2:1 Max.
Average Power(W)	30 CW
Peak Power(KW)	20
Flange	FUGP740(UG-387/U)
Material	Al
Size(mm)	157.5 x 40 x 23.6
Net Weight(Kg)	0.25 Around

## Outline Drawing (Size: mm)



## Flange Drawing (Size: mm)



FUGP740  
(equivalent to UG-387/U)

AINFO Inc.

Page 2 of 3

China(Beijing):	Tel: (+86) 10-6266-7326,	(+86) 10-6266-7327	Fax: (+86) 10-6266-7379
China(Chengdu):	Tel: (+86) 28-8519-2786,	(+86) 28-8519-3044	Fax: (+86) 28-8519-3068
USA:	Tel: (+1) 949-639-9688,	(+1) 949-639-9608	Fax: (+1) 949-639-9670

Website: [www.ainfoinc.com](http://www.ainfoinc.com)  
Email: [sales@ainfoinc.com](mailto:sales@ainfoinc.com)

## Test Results

### VSWR

